

Installation, Operation and Maintenance Instructions



**PM GRATE IN
HOUSING
RARE EARTH
MAGNETS**

ERIEZ MAGNETICS HEADQUARTERS: 2200 ASBURY ROAD, P.O. BOX 10608, ERIE, PA 16514-0608 U.S.A.
WORLD AUTHORITY IN ADVANCED TECHNOLOGY FOR MAGNETIC, VIBRATORY and INSPECTION APPLICATIONS

Introduction

This manual details the proper steps for installing and operating and maintaining the Eriez Model PM Grate-In-Housing (GIH) Rare Earth Drawer Magnet.

Careful attention to these operating requirements will assure the most efficient and dependable performance of this equipment.

The PM Rare Earth GIH Drawer Magnet circuits are suitable for temperatures up to 250 degrees Fahrenheit (121C°). Special circuits are required for higher temperatures, depending upon application criteria. Please review the Eriez order acknowledgment or contact your local representative if you have any questions about the circuit provided and its temperature limitations.

If there are any questions or comments about the manual, please call the factory at 814/835-6000 for assistance.

CAUTION – STRONG MAGNET

This equipment includes one or more extremely powerful magnetic circuits. The magnet field may be much stronger than the Earth's background field at a distance several times the largest dimension of the equipment.

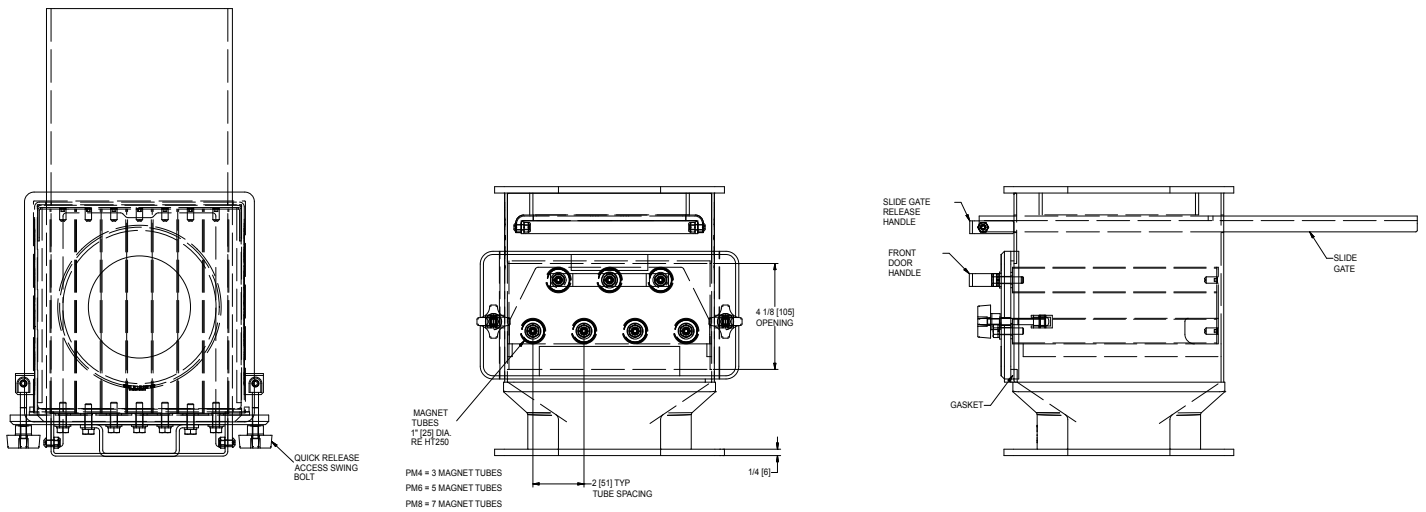
- If you use a heart pacemaker or similar device you must never approach the equipment because your device may malfunction in the magnetic field, with consequences up to and including death.
- To avoid serious pinch-type injuries caused by objects attracted to the magnetic, keep all steel and iron objects well away from the equipment. Do not allow hands, fingers and other body parts to be caught between the equipment and nearby steel or iron objects.
- Keep credit cards, computer disks and other magnetic storage devices away from the equipment because magnetically stored information may be corrupted by the magnetic field.
- Keep electronic devices, such as cell phones, computers or monitors, away from the equipment because exposure to the magnetic field may result in malfunction or permanent damage to such devices.

Contact Eriez if you have any questions regarding these precautions.

Table of Contents

PM Grate in Housing Rare Earth Magnets

Installation Instructions	3
Operating and Maintenance.....	3
Maintenance.....	4
Factors that affect Magnet Performance	4



Installation Instructions

This Grate-In-Housing is designed to be mounted below a material hopper and above the feed throat of an injection machine, extruder or compounding equipment. The GIH can support a symmetrical

vertical load up to 9,000 lbs (4082 Kg). Asymmetrical loads must be adequately braced with external reinforcements.

Operating and Maintenance

The Eriez Model PM GIH Rare Earth Drawer Magnet is designed to operate in a line of vertical product flow. It requires no maintenance other than periodic removal of accumulated tramp iron from the magnet tubes. The tramp iron must be removed as often as is practical. Prolonged operation without cleaning

will cause the magnets to magnetically short circuit and the grate will not be fully efficient until the iron has been removed. To clean the magnets, pull the slide gate forward to shut off the flow, slide the drawer out of the housing and wipe the tramp iron from the tubes with a wiping rag. Using the sticky

side of masking tape will achieve close to 100% fine iron removal from the tube after wiping with a rag. Then replace the drawer in the housing.

WARNING: Do not attempt to clean the element by “beating” it against the floor or table. The element and magnet will be damaged beyond repair.

The Polycarbonate door is susceptible to stress cracking by common hydrocarbons. Take steps to keep this from contact with oil and solvents. Improper handling or substance contact will void the warranty.

Maintenance

Alteration and disassembly of the magnet grate would disturb a carefully engineered magnetic circuit that could only be restored by returning the unit to our factory for rebuilding and recharging. Repair, alteration or disassembly of the magnetic equipment in the field without written authorization and instructions by Eriez Magnetics Co. nullifies the responsibility and guarantee of the manufacturer.

WARNING: Each tube magnet in the drawer consists of a number of powerful magnetic castings contained within a thin-wall of nonmagnetic stainless steel tube. If your product is abrasive to the point of wearing through the nonmagnetic magnet tubing, magnet material may enter the product stream. This exposure could be harmful to the quality of your product. When cleaning the grate, check for signs of excessive tube wear.

Factors that affect Magnet Performance

1. HIGH TEMPERATURE

The PM Rare Earth circuits should not be subjected to temperatures in excess of 250°F (121°C). Special circuits are available for higher temperatures.

2. DIRECT CURRENT

Welding equipment should not be used on or in close proximity to Eriez Permanent magnet circuits. Demagnetization can result from this.

3. MOISTURE

The raw magnet material should not be exposed to liquids. This would normally only result from breaching the magnet enclosure.

4. PHYSICAL ABUSE

The magnet castings are brittle, and when subjected to repeated abuse such as banging on a table or dropping on the floor, the castings may shatter and the tubes may crack. Over time, abuse will cause the magnetic field to diminish.

NOTE: Some safety warning labels or guarding may have been removed before photographing equipment.
Eriez and Eriez Magnetics are registered trademarks of Eriez Manufacturing Co., Erie, PA

©2010 ERIEZ MANUFACTURING CO. ALL RIGHTS RESERVED



World Authority in Advanced Technology for Magnetic, Vibratory and Inspection Applications

HEADQUARTERS: 2200 ASBURY ROAD, P.O. BOX 10608, ERIE, PA 16514-0608 U.S.A.

Telephone 814/835-6000 • 800/345-4946 • Fax 814/838-4960 • International Fax 814/833-3348

Web Site: <http://www.eriez.com>

e-mail: eriez@eriez.com

MANUFACTURING FACILITIES IN: AUSTRALIA • BRAZIL • CHINA • INDIA • JAPAN • MEXICO • SOUTH AFRICA • UNITED KINGDOM • UNITED STATES